

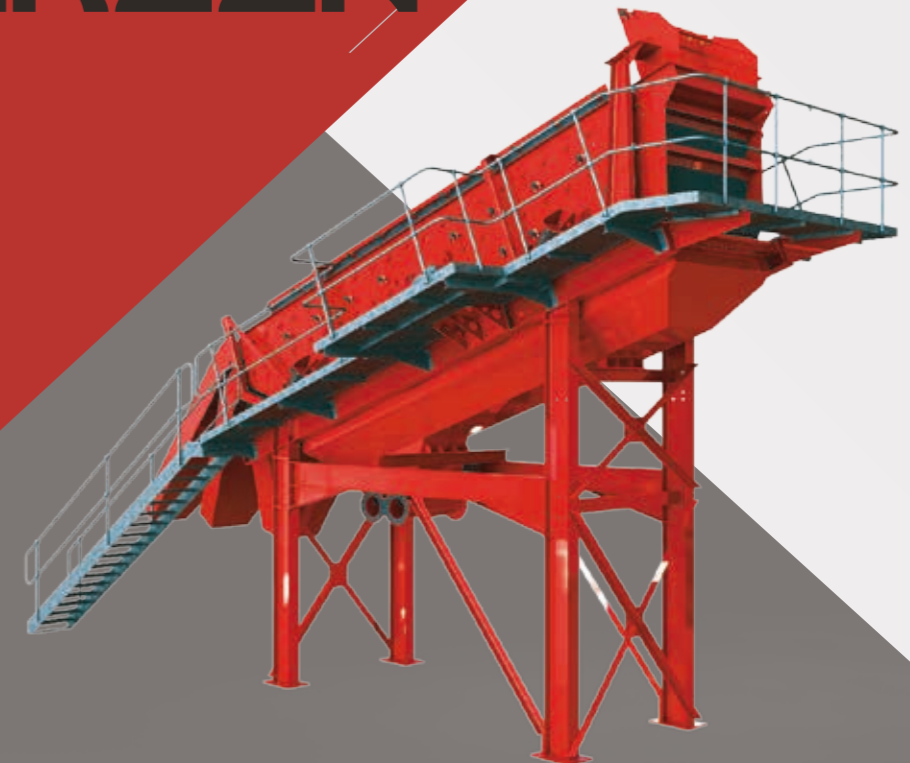


S22T

STATIC RINSE SCREEN

MAXIMUS CRUSHING & SCREENING
2A WASHINGBAY ROAD
COALISLAND
Co. TYRONE
N. IRELAND
BT71 4ND

TEL : +44 (0) 28 8774 8873
EMAIL: SALES@MAXIMUSSCREENING.COM
WEB : WWW.MAXIMUSSCREENING.COM



522T STATIC RINSER SCREEN

Weight

Est. 10,000 kgs

Screen Shaft Speed

1120 rpm to 930 rpm

Screen Angle

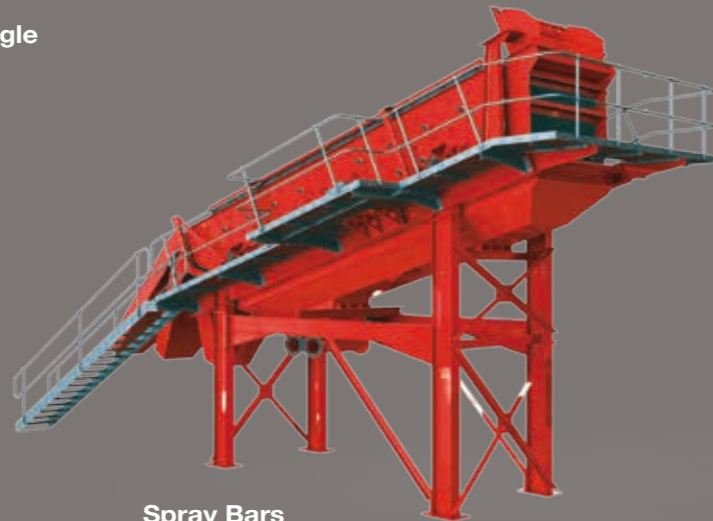
20 °

Screen Motor

ABB 18.5 kW

Walkways & Handrails

Galvanised



Support Structure

Modular frame with quick set up

Spray Bars

Top : 11
Middle : 8
Bottom : 8

The Maximus static screens are easy to assemble and include integrated galvanised walkways, handrails and steps and a modular quick set-up support structure.

Available in both dry screen and rinsers models the Maximus static range can be driven hydraulically or via powerful electric motors.

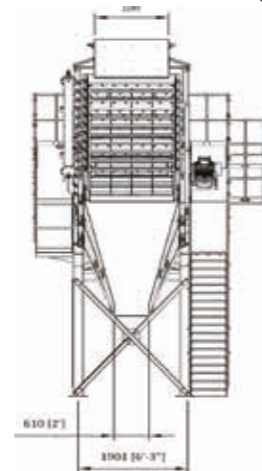
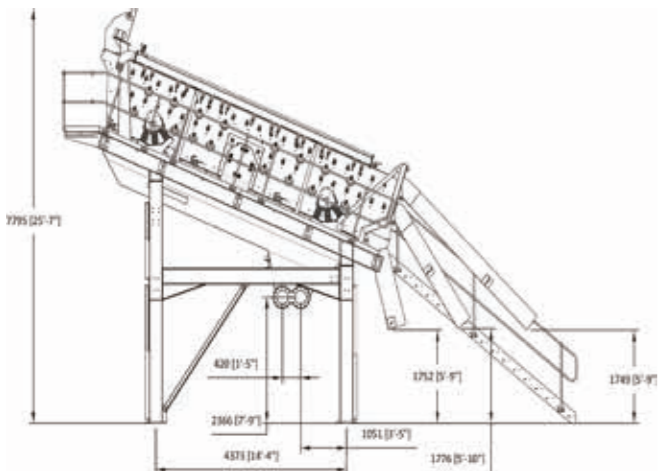
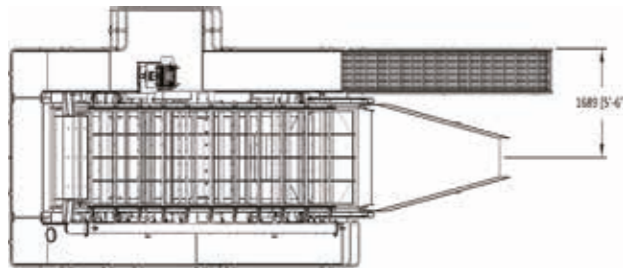
SCREEN DIMENSIONS:

Top Deck :
6.700 x 1.525 (22' X 5')

Middle Deck :
6.700 x 1.525 (22' x 5')

Bottom Deck :
6.100 x 1.525 (20' x 5')

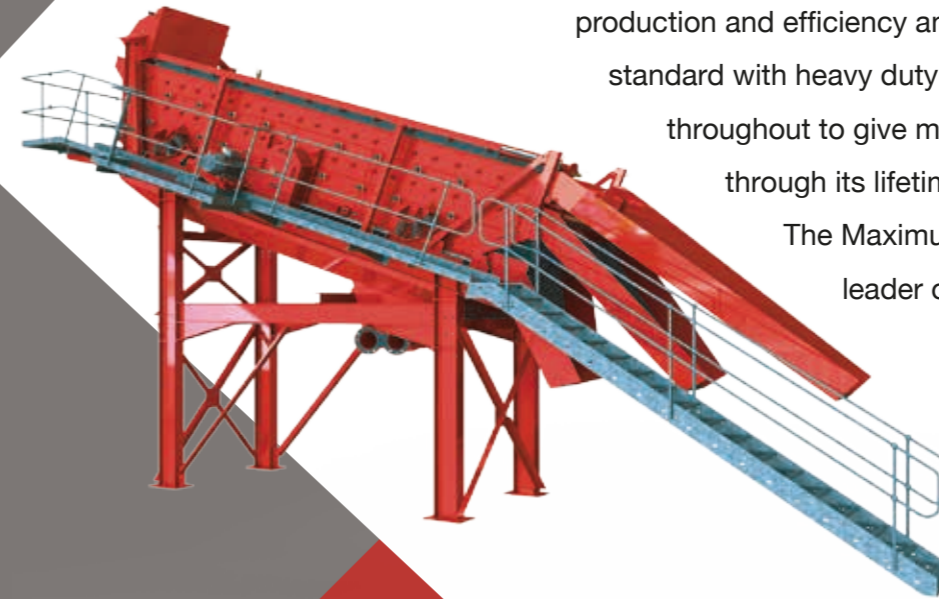
Discharge Height :
2.37m (7' 9")



522T STATIC RINSER SCREEN

The Maximus static screen range is designed for maximum production and efficiency and is engineered to the highest standard with heavy duty, high quality materials used throughout to give maximum throughput and strength through its lifetime.

The Maximus 522T Static Rinsers is the class leader other triple decks aspire to.



OPTIONS

Hydraulic Drive

Rubber lined catch box

Catch box with adjustable division plates

- ✓ **PRECISION**
- ✓ **PERFORMANCE**
- ✓ **PROFIT**

Using the class leading 22ft x 5ft heavy duty, high energy 2 bearing Maximus screenbox, the Maximus static range is ideal for use in applications including sand & gravel, crushed stone, coal, concrete, recycled materials, iron ore and many more.

The screen comes with heavy duty spray bars with high pressure spray nozzles, catchbox with adjustable division and adjustable spreader with spray bar.

